



MBR3060CT, MBRF3060CT, MBRB3060CT

30A Series Schottky Rectifier Diode

MECHANICAL CHARACTERISTIC

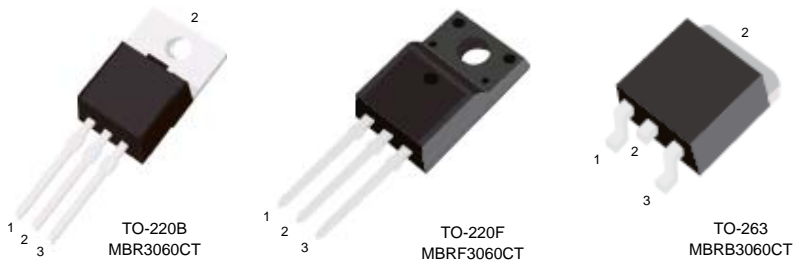
Case: Epoxy, Molded
 Finish: All External Surfaces Corrosion Resistant and Terminal
 Leads are Readily Solderable
 Lead Temperature for Soldering Purposes:
 260°C Max. for 10 Seconds

FEATURES

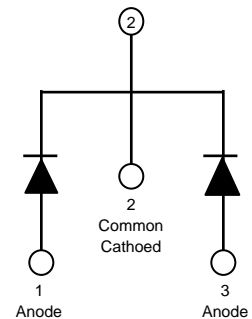
Guard Ring for Stress Protection
 Low Forward Voltage
 Low Power Loss/High Efficiency
 High Surge Capacity
 Low Stored Charge Majority Carrier Conduction
 Pb Free Packages are Available*

PRODUCT CHARACTERISTICS

I_D	30A
$V_R (I_C=0.5mA)$	60V
$V_F (I_F=15A)$	0.74V
$I_R (V_R=45V)$	50uA



Symbol



ORDERING INFORMATION

Order Number	Package	Pin Assignment			Packing			
		1	2	3		Tube	BOX	Cartons
MBR3060CT	TO-220B	Anode	Common Cathode	Anode	Tube	50Pcs	1000Pcs	5000Pcs
MBRF3060CT	TO-220F	Anode	Common Cathode	Anode	Tube	50Pcs	1000Pcs	5000Pcs
MBRB3060CT	TO-263	Anode	Common Cathode	Anode	800Pcs/Reel, 4000Pcs/BOX			



MBR3060CT, MBRF3060CT, MBRB3060CT

MAXIMUM RATINGS (Each Diode Leg) ($T_C=25^{\circ}\text{C}$, unless otherwise specified)

Parameter		Symbol	Value	Unit
Average Rectified Output Current	(Total)	I_O	30	A
	(per Leg)		15	
Non-Repetitive Peak Forward Surge Current 8.3ms Single Half Sine-Wave Superimposed on Reate Load		I_{FSM}	300	
Peak Repetitive ReverseVoltage		V_{RRM}	60	V
Operating and StorageTemperature Range		T_J, T_{STG}	-55~+175	$^{\circ}\text{C}$

ELECTRICAL CHARACTERISTICS

Characteristic	Symbol	Test Conditions	Values			Unit
			Min.	Typ.	Max.	
Peak Repetitive ReverseVoltage	B_V	$I_C=0.5\text{mA}, T_J=25^{\circ}\text{C}$	60	65	--	V
Forward Voltage Drop	V_F	$I_F=15\text{A}, T_J=25^{\circ}\text{C}$	--	0.69	0.74	
Leakage Current	I_R	$V_R=60\text{V}, T_J=25^{\circ}\text{C}$	--	--	0.05	mA
		$V_R=60\text{V}, T_J=125^{\circ}\text{C}$	--	--	6	



Electrical characteristics & Typical characteristics

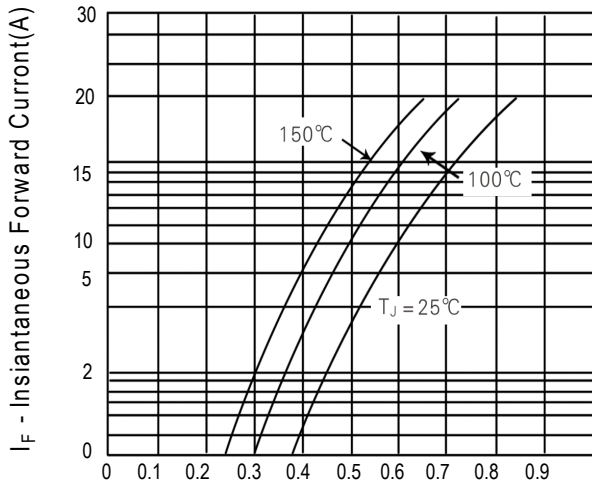


Figure 1. Typical Forward Voltage Per Diode

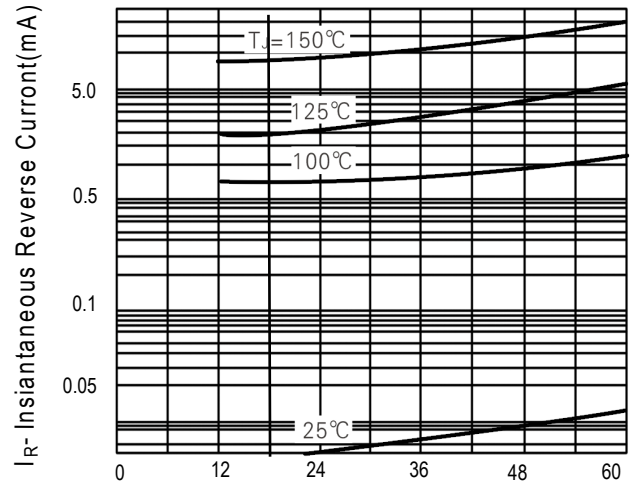


Figure 2. Typical Reverse Current Per Diode

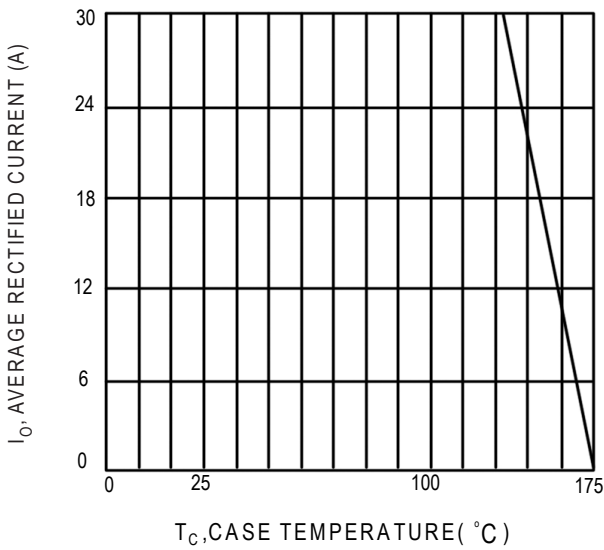


Fig.3 Forward Current Derating Curve

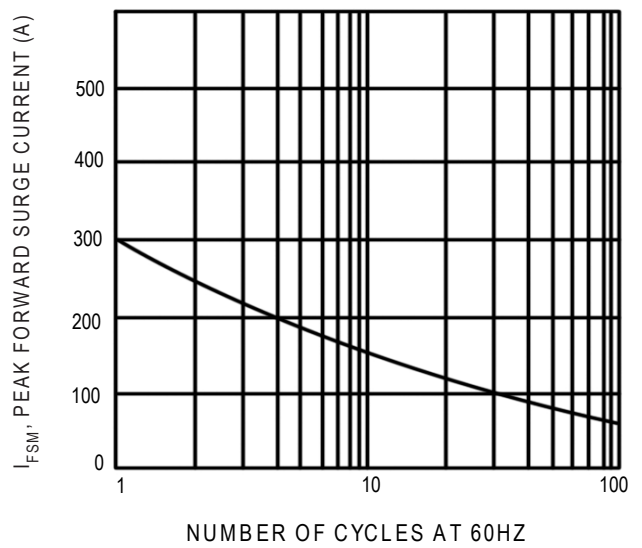
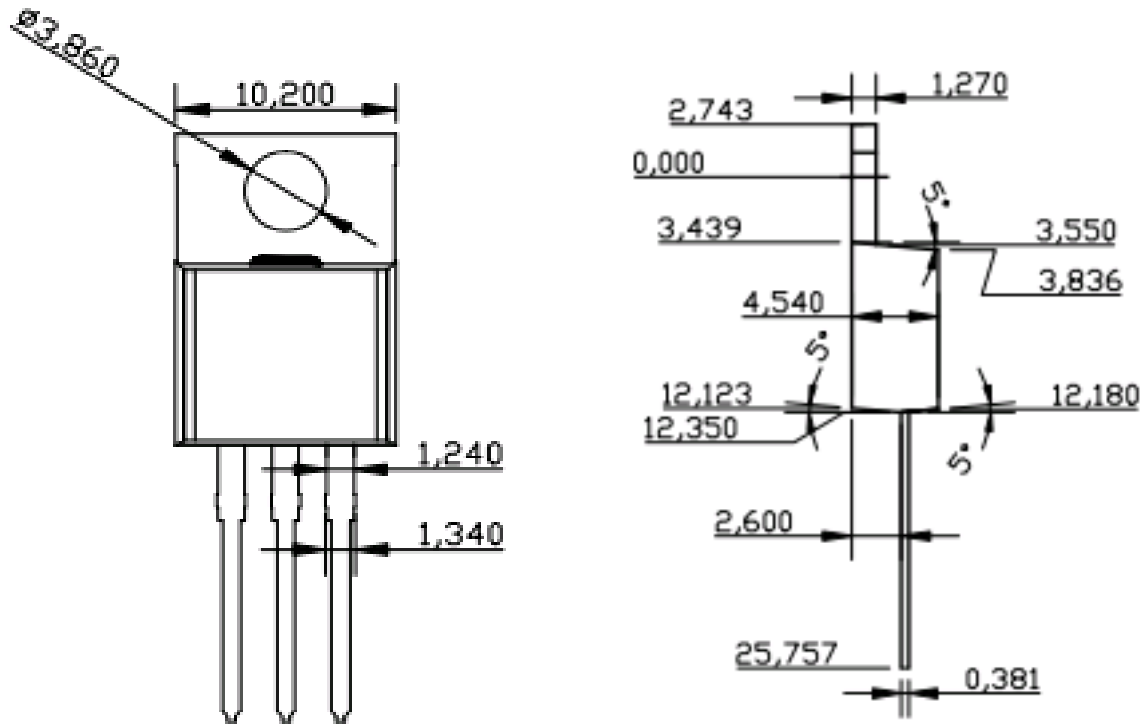


Fig.4 Max Non-Repetitive Surge Current



MBR3060CT, MBRF3060CT, MBRB3060CT

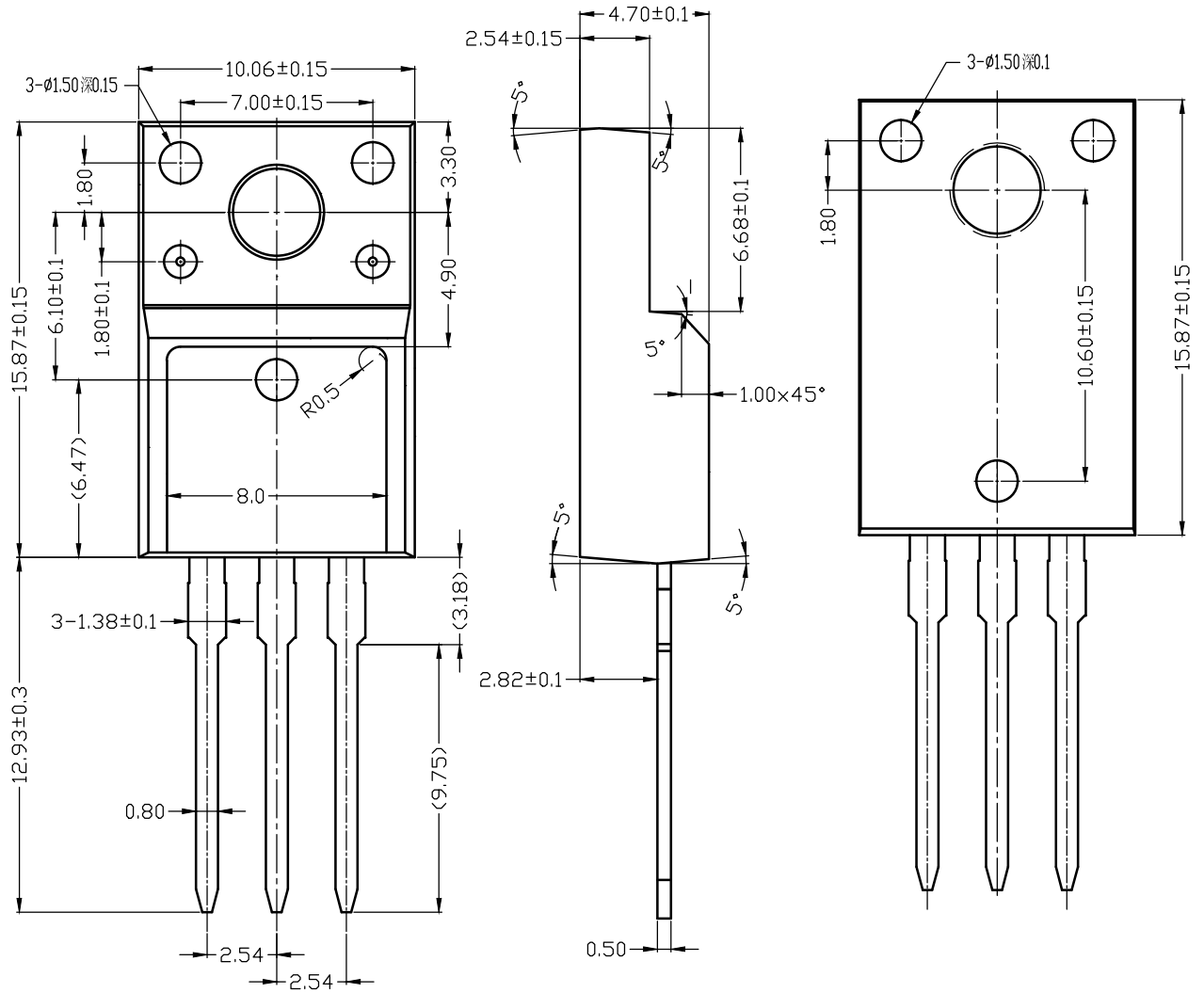
TO-220B-3L Package Outline Dimensions





MBR3060CT, MBRF3060CT, MBRB3060CT

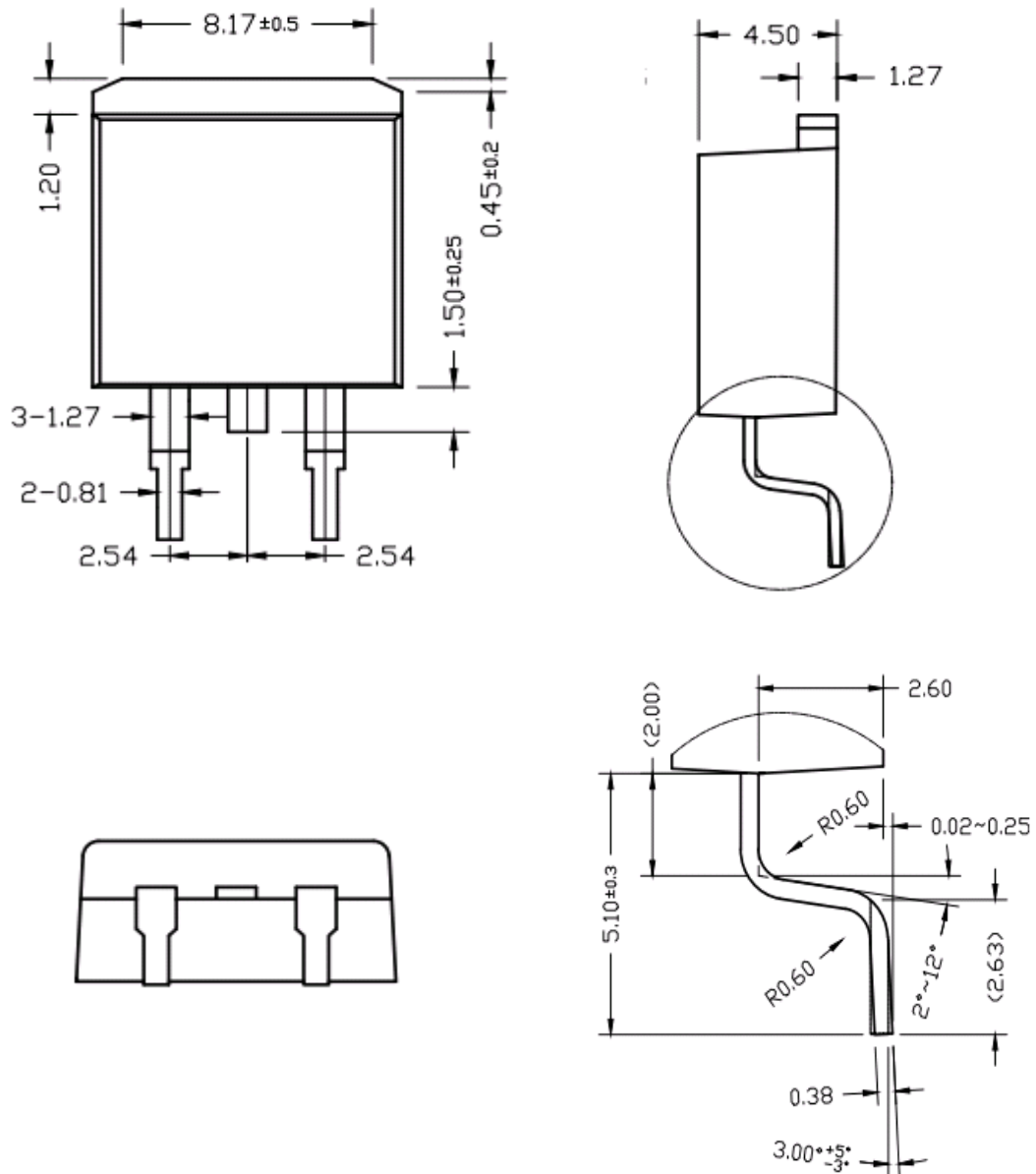
TO-220F-3L Package Outline Dimensions





MBR3060CT, MBRF3060CT, MBRB3060CT

TO-263 (D²PAK) Package Outline Dimensions





MBR3060CT, MBRF3060CT, MBRB3060CT

Manufacturers version information
2020-12-16 . HAOHAI™ Product Data-1.0



WARN, Letters, patterns, are officially registered my trademark counterfeiting, theft are all violations, violators will be held liable !

深圳市浩海电子有限公司

SHENZHEN HAOHAI ELECTRONICS CO., LTD.

2 floor(whole floor), BAOXIN Building. 0 Lane on the 8th. Yufeng Garden.
82 District. BAOAN District, Shenzhen City, Guangdong Province, China.

公司电话 TEL: +86-755-29955080、29955081、29955082、29955083

FAX: +86-755-27801767

E-mail: kkg@kkg.com.cn

<http://www.szhhe.com>

<http://www.kkg.com.cn>