

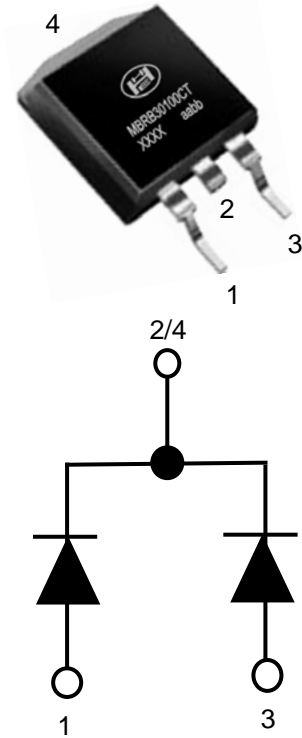
This series uses the Schottky Barrier principle with a platinum barrier metal. These state of the art devices have the following features:

Features

- Schottky Barrier Diodes
- 30A Total (15A Per Diode Leg)
- Guard Ring for Stress Protection
- Low Forward Voltage
- 175°C Operating Junction Temperature
- Epoxy Meets UL 94 V 0 @ 0.125 in
- Low Power Loss/High Efficiency
- High Surge Capacity
- Low Stored Charge Majority Carrier Conduction
- Pb Free Packages are Available *

Mechanical Characteristics:

- Case: Epoxy, Molded
- Weight: 1.38 grams (approximately)
- Finish: All External Surfaces Corrosion Resistant and Terminal Leads are Readily Solderable
- Lead Temperature for Soldering Purposes: 260°C Max. for 10 Seconds



RATINGS (Per Diode Leg)

Rating	Symbol	Value	Unit
Peak Repetitive Reverse Voltage	V_{RRM}	100	V
Maximum Instantaneous Forward Voltage ($i_F=15A, T_C=25^\circ C$)	V_F	0.83	
Average Rectified Forward Current (Rated $V_R, T_C=133^\circ C$)	$I_{F(AV)}$	15	A
Peak Repetitive Forward Current (Rated $V_R, Square Wave, 20kHz, T_C=133^\circ C$)	I_{FRM}	30	
Nonrepetitive Peak Surge Current (Surge applied at rates load conditions halfwave, single phase, 60Hz)	I_{FSM}	300	
Peak Repetitive Reverse Surge Current (2.0μS, 1.0kHz)	I_{RRM}	5	
Operating Junction Temperature	T_J	-65~+175	°C
Voltage Rate of Change (Rated V_R)	dv/dt	10000	V/μS
Maximum Instantaneous Reverse Current (Rated dc Voltage, $T_C=125^\circ C$) (Rated dc Voltage, $T_C=25^\circ C$)	I_R	6.0 0.05	mA

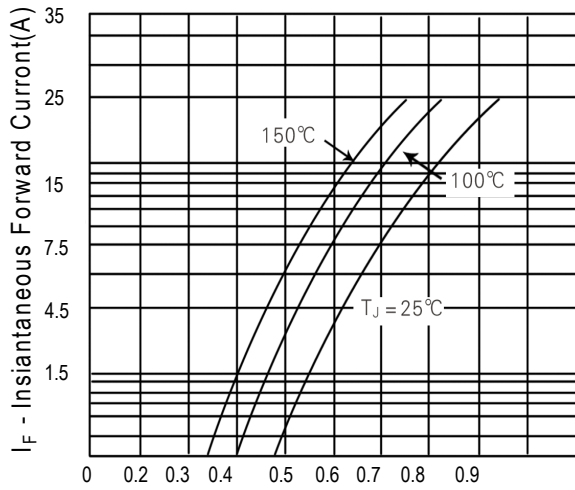


Figure 1. Typical Forward Voltage Per Diode

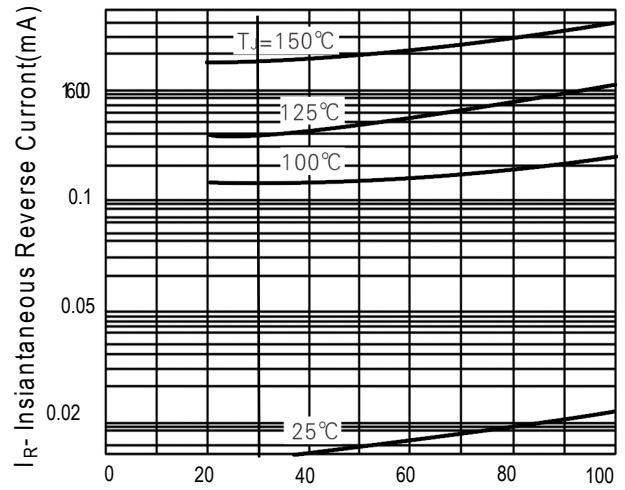


Figure 2. Typical Reverse Current Per Diode

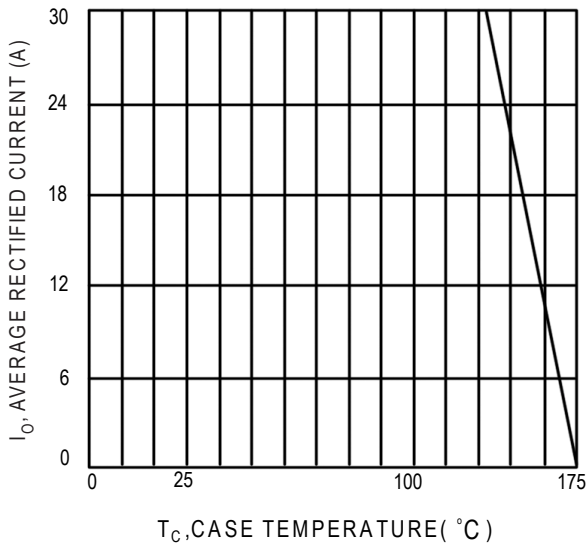


Fig.3 Forward Current Derating Curve

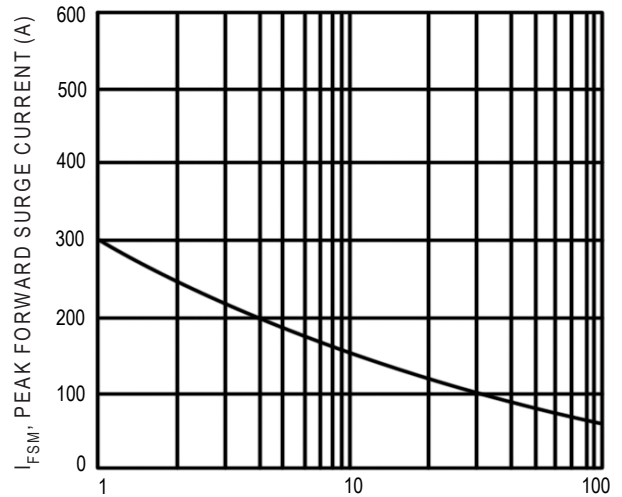
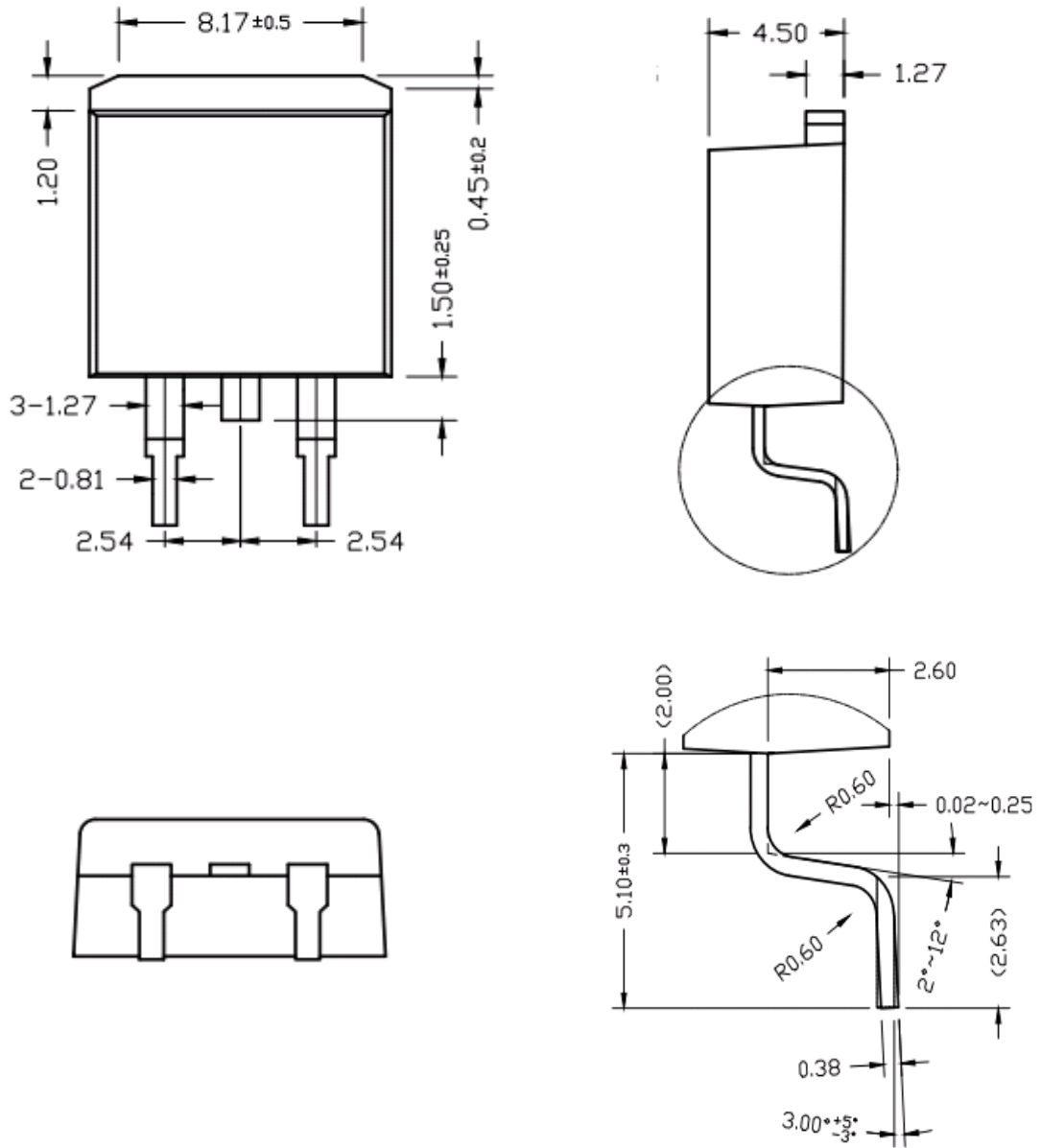


Fig.4 Max Non-Repetitive Surge Current

TO-263-2L Package Dimensions (封装尺寸数据, 单位: mm)



版本信息

2010-10-01, HAOHAI™ Product Data-1.0

2014-09-01, HAOHAI™ Product Data-1.1

2020-08-01, HAOHAI™ Product Data-1.2



经中华人民共和国工商行政管理总局商标局批准
HAOHAI、HHE 图案、字母、均为我公司正式注册商标，仿冒、盗用均属侵权，违法必究！

深圳市浩海电子有限公司

SHENZHEN HAOHAI ELECTRONICS CO., LTD.

2 floor(whole floor), BAOXIN Building. 0 Lane on the 8th. Yufeng Garden.
82 District. BAOAN District, Shenzhen City, Guangdong Province, China.

公司电话/TEL: +86-755-29955080、29955081、29955082、29955083

FAX: +86-755-27801767

E-mail: kkg@kkg.com.cn

<http://www.szhhe.com>

<http://www.kkg.com.cn>