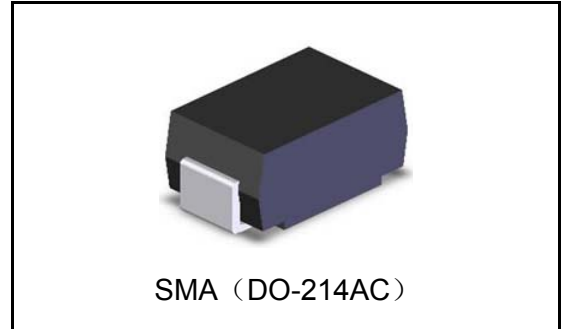


**FEATURES**

- Low profile package
- Ideal for automated placement
- Fast switching for high efficiency
- High forward surge capability
- High temperature soldering:  
260°C/10 seconds at terminals
- The plastic package carries Underwriters Laboratory  
Flammability Classification 94V-0

**Mechanical Date**

- Case: JEDEC DO-214AC molded plastic body
- Terminals: Solder plated, solderable per  
MIL-STD-750, Method 2026
- Mounting Position: Any
- Polarity: Laser band denotes cathode end
- Weight: 0.003 ounce, 0.093 grams SMA  
0.004 ounce, 0.111 grams SMA (H)



**Major Ratings and Characteristics**

$I_{F(AV)}$	1.0 A
$V_{RRM}$	50 V to 1000 V
$I_{FSM}$	30 A
$t_{rr}$	150nS, 250nS, 500nS
$V_F$	1.3 V
$T_j$ (max.)	125°C

■ Maximum Ratings & Thermal Characteristics ( $T_A=25^\circ\text{C}$ , unless otherwise noted)

Items	Symbol	RS1A	RS1B	RS1D	RS1G	RS1J	RS1K	RS1M	UNIT
Maximum repetitive peak reverse voltage	$V_{RRM}$	50	100	200	400	600	800	1000	V
Maximum RMS voltage	$V_{RMS}$	35	70	140	280	420	560	700	
Maximum DC blocking voltage	$V_{DC}$	50	100	200	400	600	800	1000	
Maximum average forward rectified current	$I_{F(AV)}$	1							A
Peak forward surge current 8.3 ms single half sine-wave superimposed on rated load	$I_{FSM}$	30							
Thermal resistance from junction to ambient <sup>(1)</sup>	$R_{\theta JA}$	50							°C/W
Operating junction and storage temperature range	$T_j, T_{STG}$	-55 to +125							°C

*Note 1: Mounted on P.C.B. with  $0.2 \times 0.2$ " ( $5.0 \times 5.0\text{mm}$ ) copper pad areas.*

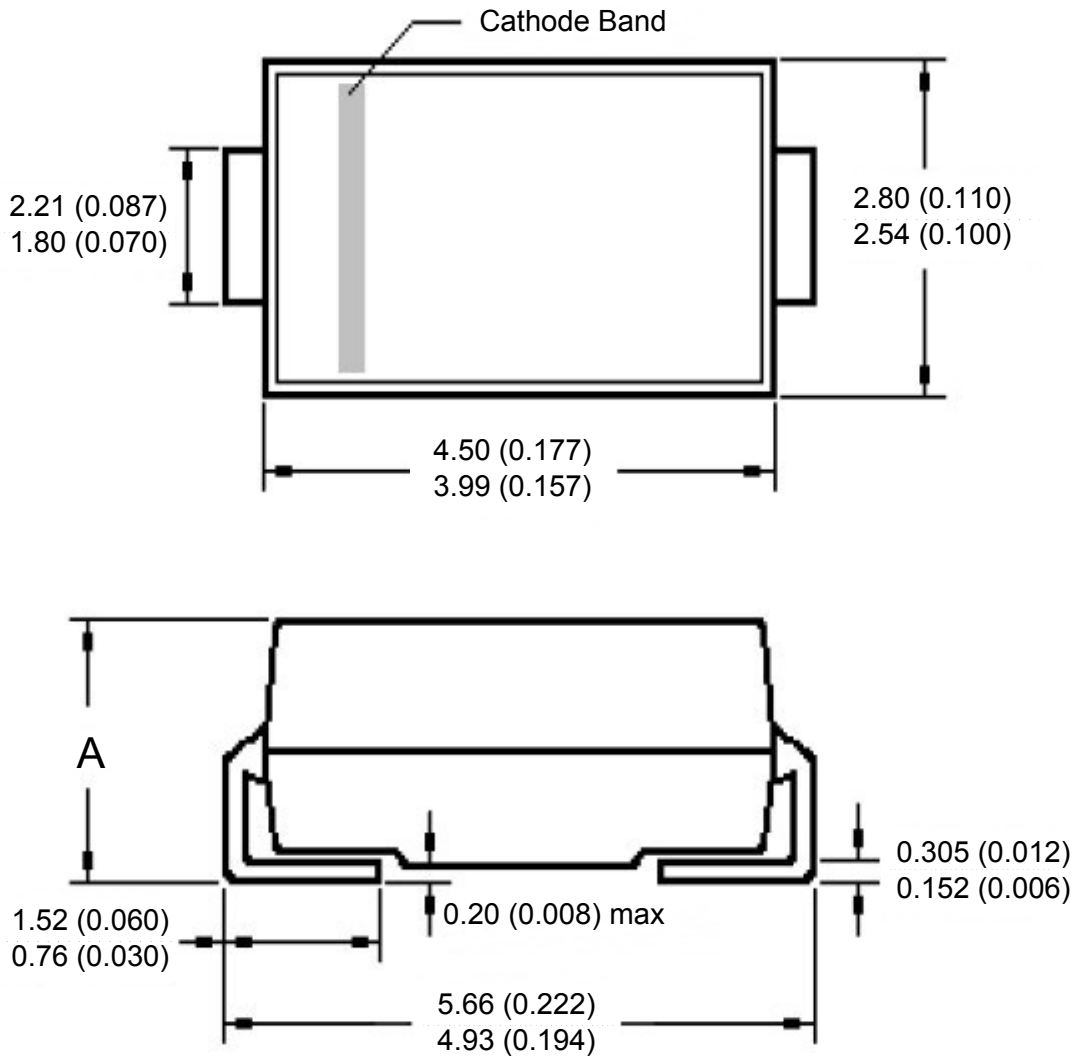
■ Electrical Characteristics ( $T_A=25^\circ\text{C}$ , unless otherwise noted)

Items	Test conditions	Symbol	RS1A~RS1G	RS1J	RS1K~RS1M	UNIT
Instantaneous forward $I_t$	$I_F=1.0\text{ A}$ <sup>(2)</sup>	$V_F$	1.3			V
Reverse current	$V_R=V_{DC}$	$I_R$	$T_A=25^\circ\text{C}$			μA
			$T_A=100^\circ\text{C}$			
Reverse recovery time	$I_F=0.5\text{A}, I_R=1.0\text{A}$ $I_{rr}=0.25\text{A}$	$t_{rr}$	150	250	500	nS
Typical junction capacitance	4.0V, 1MHz	$C_j$	15			pF

*Note 2: Pulse test: 300μs pulse width, 1% duty cycle.*

Package Outline

SMA (DO-214AC)



	SMA	SMA (H)
A :	$\frac{2.42 (0.096)}{1.98 (0.078)}$	$\frac{3.12 (0.122)}{2.82 (0.110)}$

Dimensions in millimeters and (inches)

April 20, 2014  
2014-04-20\_TRR\_1.0



经中华人民共和国工商行政管理总局商标局批准  
HAOHAI、HHE 图案、字母、均为我公司正式注册商标，仿冒、盗用均属侵权，违法必究！

## 深圳市浩海电子有限公司

**SHENZHEN HAOHAI ELECTRONICS CO., LTD.**

2 floor(whole floor), BAOXIN Building. 0 Lane on the 8th. Yufeng Garden.  
82 District. BAOAN District, Shenzhen City, Guangdong Province, China.

中國 廣東省 深圳市 寶安區 82區 裕豐花園 零巷8號 寶馨樓 二楼(全层)

公司电话           TEL: +86-755-29955080、29955081、29955082、29955083  
总机八线           29955090、29955091、29955092、29955093

**FAX: +86-755-27801767**

Web: <http://www.szhhe.com>

E-mail: [kkg@kkg.com.cn](mailto:kkg@kkg.com.cn)